

Nuts for mounting guides

for DCE tube clamps, steel

MATERIAL

Zinc-plated steel

STANDARD EXECUTIONS

- **DCE-NTG-S**: with black NBR rubber cap, for use with DCE-S standard series tube clamps (DIN 3015-1).
- **DCE-NTG-H**: for use with DCE-H heavy-duty series tube clamps (DIN 3015-2).
- **DCE-NTG-D**: with black NBR rubber ring, for use with DCE-D double series tube clamps (DIN 3015-3).

FEATURES AND APPLICATIONS

Designed to be paired with DIN 3015 clamps, they are the solution to securing tube clamps to the mounting guide.

They allow the clamps to slide along the rail to create modular fastening structures.

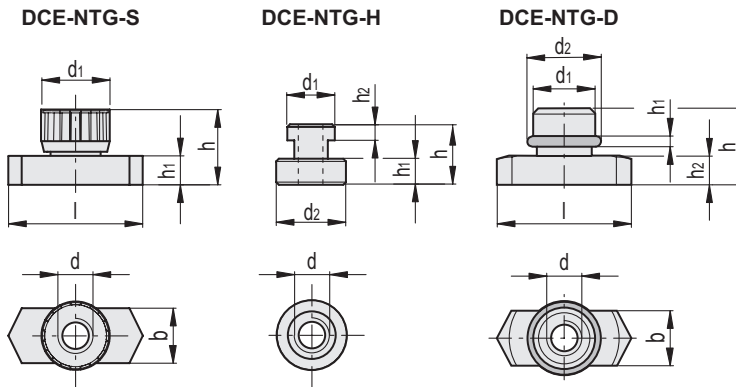
With standard metric threading that facilitates pairing with DCE-SRE and DCE-SRC assembly screws.



ACCESSORIES

For the assembly kit DCK-S, DCK-H and DCK-D.

- DCE-S: standard series tube clamps.
- DCE-H: heavy-duty series tube clamps.
- DCE-D: double series tube clamps.
- DCE-PU: cover plates.
- DCE-SRE: hexagon head screws.
- DCE-SRC: cylinder head screws.
- DCE-WA: flat washers.
- DCE-GU: mounting guides.



DCE-NTG-S

Code	Description	b	d	d ₁	l	h	h ₁	For tube clamp	⚖
570531	DCE-NTG-S-M6-ZN+CG	10.4	M 6	11.8	25.5	14.5	5.5	DCE-S / DCE-D	12

DCE-NTG-H

Code	Description	d	d ₁	d ₂	h	h ₁	h ₂	For tube clamp	⚖
570541	DCE-NTG-H-M10-ZN	M 10	17.7	22	21	7.4	6.6	DCE-H	33
570546	DCE-NTG-H-M12-ZN	M 12	18.8	26	23	8	7	DCE-H	46

DCE-NTG-D

Code	Description	b	d	d ₁	d ₂	l	h	h ₁	h ₂	For tube clamp	⚖
570536	DCE-NTG-D-M8-ZN+OR	10.4	M 8	13.8	14.4	25.5	13.5	2.2	5.5	DCE-D	13