

Cover plates

for DCE tube clamps, steel

MATERIAL

Zinc-plated steel.

STANDARD EXECUTIONS

- **DCE-PU-S:** for use with DCE-S standard series tube clamps (DIN 3015-1).
- **DCE-PU-H:** for use with DCE-H heavy-duty series tube clamps (DIN 3015-2).
- **DCE-PU-D:** for use with DCE-D double series tube clamps (DIN 3015-3).

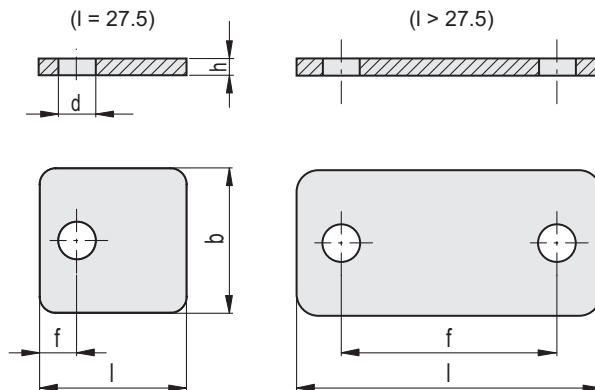
EXECUTIONS ON REQUEST

AISI 316L stainless steel.

ACCESSORIES

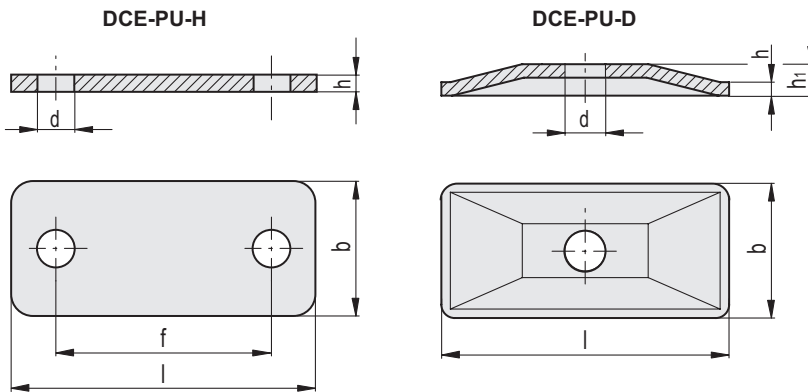
For the assembly kit DCK-S, DCK-H and DCK-D.

- DCE-S: standard series tube clamps.
- DCE-H: heavy-duty series tube clamps.
- DCE-D: double series tube clamps.
- DCE-SRE: hexagon head screws.
- DCE-PL: welded lower plates.
- DCE-GU: mounting guides.
- DCE-NTG: nuts for mounting guides.



DCE-PU-S

Code	Description	b	d	f	l	h	For tube clamp	△
570111	DCE-PU-S-1-ZN	30	7	9	27.5	3	DCE-S-1	18
570112	DCE-PU-S-2-ZN	30	7	20	34.5	3	DCE-S-2	23
570113	DCE-PU-S-3-ZN	30	7	26	40.5	3	DCE-S-3	27
570114	DCE-PU-S-4-ZN	30	7	33	48	3	DCE-S-4	32
570115	DCE-PU-S-5-ZN	30	7	40	56.5	3	DCE-S-5	38
570116	DCE-PU-S-6-ZN	30	7	52	69.5	3	DCE-S-6	46
570117	DCE-PU-S-7-ZN	30	7	66	85.5	3	DCE-S-7	59



DCE-PU-H

Code	Description	b	d	f	l	h	For tube clamp	⚖
570361	DCE-PU-H-1-ZN	30	11	33	56	8	DCE-H-1	93
570363	DCE-PU-H-2-ZN	30	11	45	70	8	DCE-H-2	119
570365	DCE-PU-H-3-ZN	30	11	60	85	8	DCE-H-3	148
570367	DCE-PU-H-4-ZN	45	14	90	115	10	DCE-H-4	377
570369	DCE-PU-H-5-ZN	60	18	122	152	10	DCE-H-5	649

DCE-PU-D

Code	Description	b	d	l	h	h ₁	For tube clamp	⚖
570491	DCE-PU-D-1-ZN	30	7	34.5	3	7	DCE-D-1	23
570493	DCE-PU-D-2-ZN	30	9	52	3	7	DCE-D-2	36
570495	DCE-PU-D-3-ZN	30	9	64	3	7	DCE-D-3	45
570497	DCE-PU-D-4-ZN	30	9	79	3	7	DCE-D-4	55
570499	DCE-PU-D-5-ZN	30	9	102.5	3	7	DCE-D-5	72