

New

Indexing Plungers with Lever



DESIGNED
FOR ENGINEERING

Indexing Plungers

Steel / Stainless Steel, with Operating Lever, with External Thread

SPECIFICATION

Types

- Type **B**: Without rest position
- Type **C**: With rest position

Coding

- Coding **R**: Standard thread
- Coding **F**: Fine thread

Guide

- Steel **ST**
Zinc plated, blue passivated
- Stainless steel **AISI 303 NI**

Plunger pin

Stainless steel AISI 303

Lever

- Plastic, polyphthalamide (PPA)
- Glass fiber reinforced
 - Black **SW**

Pressure spring

Stainless steel AISI 302



INFORMATION

Indexing plungers GN 823 with operating lever can be used to lock carriages in guides, for example. The plunger pin is retracted by simply pressing the operating lever.

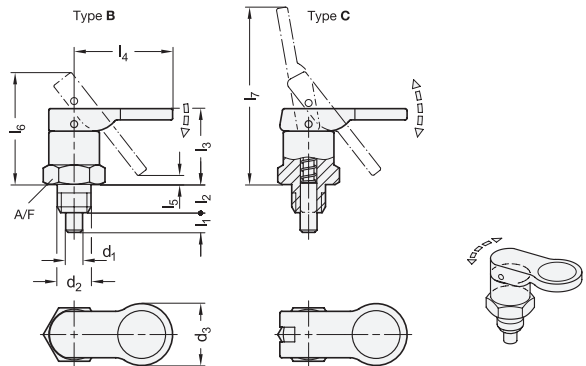
Type C also allows actuation by pulling and locking the plunger pin in the retracted position (rest position).

TECHNICAL INFORMATION

- Application Examples (see page 6)
- List of Indexing Plunger Types (see catalogue page A42)
- Load Rating Information (see catalogue page 738)
- Metric ISO Fine Thread DIN 13 (see catalogue page A19)
- ISO-Fundamental Tolerances (see catalogue page A21)
- Stainless Steel Characteristics (see catalogue page A26)

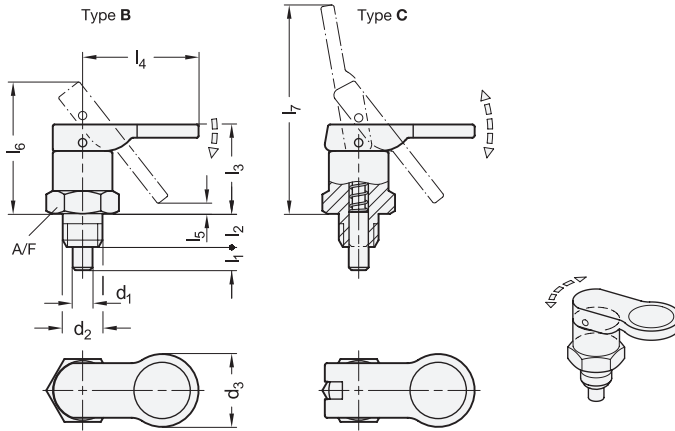
ACCESSORY

- GN 412.2 / GN 412.4 Positioning Bushings (with Collar) (see catalogue page 813)
- GN 412.3 / GN 412.5 Positioning Bushings (with Ramping Cone) (see catalogue page 812)
- GN 609.5 Distance Bushings (Stainless Steel) (see catalogue page 810)
- GN 412.1 Mounting Blocks (Zinc Die Casting) (see catalogue page 814)
- GN 612.1 Mounting Blocks (Steel) (see catalogue page 815)
- GN 909 / GN 909.5 Thin Hex Nuts (see catalogue page 809)



GN 823-ST-B

Description	d1 Plunger h9 Bore +0.08/+0.03	l1	d2	d3	l2	l3	l4	l5 ≈	l6 ≈	A/F	⚖
GN 823-4-5-B-R-ST-SW	4	5	M10	17	8	20	26	2	30	15	26
GN 823-4-5-B-F-ST-SW	4	5	M10 x 1	17	8	20	26	2	30	15	26
GN 823-5-5-B-R-ST-SW	5	5	M10	17	8	20	26	2	30	15	26
GN 823-5-5-B-F-ST-SW	5	5	M10 x 1	17	8	20	26	2	30	15	26
GN 823-6-7-B-R-ST-SW	6	7	M12	22	10	27	35	3	40	19	53
GN 823-6-7-B-F-ST-SW	6	7	M12 x 1.5	22	10	27	35	3	40	19	53
GN 823-7-7-B-R-ST-SW	7	7	M12	22	10	27	35	3	40	19	54
GN 823-7-7-B-F-ST-SW	7	7	M12 x 1.5	22	10	27	35	3	40	19	54
GN 823-8-10-B-R-ST-SW	8	10	M16	26	12	33	43	3	51	22	96
GN 823-8-10-B-F-ST-SW	8	10	M16 x 1.5	26	12	33	43	3	51	22	96
GN 823-10-10-B-R-ST-SW	10	10	M16	26	12	33	43	3	51	22	97
GN 823-10-10-B-F-ST-SW	10	10	M16 x 1.5	26	12	33	43	3	51	22	97



GN 823-ST-C

Description	d1 Plunger h9 Bore +0.08/+0.03	l1	d2	d3	l2	l3	l4	l5 ≈	l6 ≈	l7 ≈	A/F	⚖
GN 823-4-5-C-R-ST-SW	4	5	M10	17	8	20	26	2	30	47	15	26
GN 823-4-5-C-F-ST-SW	4	5	M10 x 1	17	8	20	26	2	30	47	15	26
GN 823-5-5-C-R-ST-SW	5	5	M10	17	8	20	26	2	30	47	15	26
GN 823-5-5-C-F-ST-SW	5	5	M10 x 1	17	8	20	26	2	30	47	15	26
GN 823-6-7-C-R-ST-SW	6	7	M12	22	10	27	35	3	40	63	19	53
GN 823-6-7-C-F-ST-SW	6	7	M12 x 1.5	22	10	27	35	3	40	63	19	53
GN 823-7-7-C-R-ST-SW	7	7	M12	22	10	27	35	3	40	63	19	54
GN 823-7-7-C-F-ST-SW	7	7	M12 x 1.5	22	10	27	35	3	40	63	19	54
GN 823-8-10-C-R-ST-SW	8	10	M16	26	12	33	43	3	51	78	22	96
GN 823-8-10-C-F-ST-SW	8	10	M16 x 1.5	26	12	33	43	3	51	78	22	96
GN 823-10-10-C-R-ST-SW	10	10	M16	26	12	33	43	3	51	78	22	98
GN 823-10-10-C-F-ST-SW	10	10	M16 x 1.5	26	12	33	43	3	51	78	22	98

GN 823-NI-B

STAINLESS STEEL

Description	d1 Plunger h9 Bore +0.08/+0.03	l1	d2	d3	l2	l3	l4	l5 ≈	l6 ≈	l7 ≈	A/F	⚖
GN 823-4-5-B-R-NI-SW	4	5	M10	17	8	20	26	2	30	15	27	
GN 823-4-5-B-F-NI-SW	4	5	M10 x 1	17	8	20	26	2	30	15	27	
GN 823-5-5-B-R-NI-SW	5	5	M10	17	8	20	26	2	30	15	27	
GN 823-5-5-B-F-NI-SW	5	5	M10 x 1	17	8	20	26	2	30	15	27	
GN 823-6-7-B-R-NI-SW	6	7	M12	22	10	27	35	3	40	19	54	
GN 823-6-7-B-F-NI-SW	6	7	M12 x 1.5	22	10	27	35	3	40	19	54	
GN 823-7-7-B-R-NI-SW	7	7	M12	22	10	27	35	3	40	19	55	
GN 823-7-7-B-F-NI-SW	7	7	M12 x 1.5	22	10	27	35	3	40	19	55	
GN 823-8-10-B-R-NI-SW	8	10	M16	26	12	33	43	3	51	22	96	
GN 823-8-10-B-F-NI-SW	8	10	M16 x 1.5	26	12	33	43	3	51	22	96	
GN 823-10-10-B-R-NI-SW	10	10	M16	26	12	33	43	3	51	22	98	
GN 823-10-10-B-F-NI-SW	10	10	M16 x 1.5	26	12	33	43	3	51	22	98	

GN 823-NI-C

STAINLESS STEEL

Description	d1 Plunger h9 Bore +0.08/+0.03	l1	d2	d3	l2	l3	l4	l5 ≈	l6 ≈	l7 ≈	A/F	⚖
GN 823-4-5-C-R-NI-SW	4	5	M10	17	8	20	26	2	30	47	15	27
GN 823-4-5-C-F-NI-SW	4	5	M10 x 1	17	8	20	26	2	30	47	15	27
GN 823-5-5-C-R-NI-SW	5	5	M10	17	8	20	26	2	30	47	15	27
GN 823-5-5-C-F-NI-SW	5	5	M10 x 1	17	8	20	26	2	30	47	15	27
GN 823-6-7-C-R-NI-SW	6	7	M12	22	10	27	35	3	40	63	19	54
GN 823-6-7-C-F-NI-SW	6	7	M12 x 1.5	22	10	27	35	3	40	63	19	54
GN 823-7-7-C-R-NI-SW	7	7	M12	22	10	27	35	3	40	63	19	55
GN 823-7-7-C-F-NI-SW	7	7	M12 x 1.5	22	10	27	35	3	40	63	19	55
GN 823-8-10-C-R-NI-SW	8	10	M16	26	12	33	43	3	51	78	22	97
GN 823-8-10-C-F-NI-SW	8	10	M16 x 1.5	26	12	33	43	3	51	78	22	97
GN 823-10-10-C-R-NI-SW	10	10	M16	26	12	33	43	3	51	78	22	99
GN 823-10-10-C-F-NI-SW	10	10	M16 x 1.5	26	12	33	43	3	51	78	22	99

Indexing Plungers

Stainless Steel, with Operating Lever, with Flange for Surface Mounting

SPECIFICATION

Types

- Type **B**: Without rest position
- Type **C**: With rest position

Coding

- Coding **B**: Rotating
- Coding **BP**: Anti-twist protection parallel
- Coding **BR**: Anti-twist protection perpendicular

Guide

Stainless steel AISI 304 NI

Plunger pin

Stainless steel AISI 303

Lever

Plastic, polyphthalamide (PPA)

- Glass fiber reinforced
- Black **SW**

Pressure spring

Stainless steel AISI 302



INFORMATION

Indexing plungers GN 823 with operating lever can be used to lock carriages in guides, for example. The plunger pin is retracted by simply pressing the operating lever.

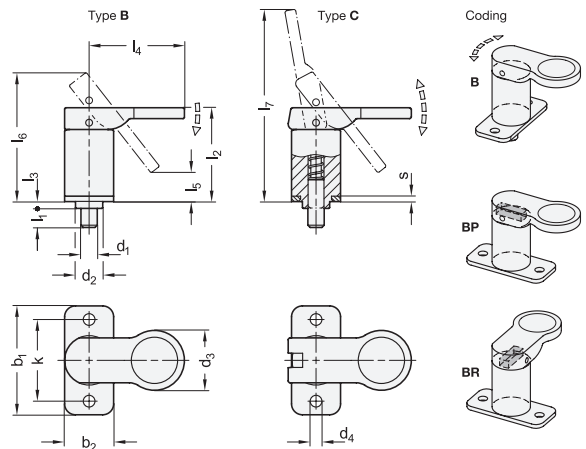
Type C also allows actuation by pulling and locking the plunger pin in the retracted position (rest position).

ACCESSORY

- GN 412.2 / GN 412.4 Positioning Bushings (with Collar) (see catalogue page 813)
- GN 412.3 / GN 412.5 Positioning Bushings (with Ramping Cone) (see catalogue page 812)

TECHNICAL INFORMATION

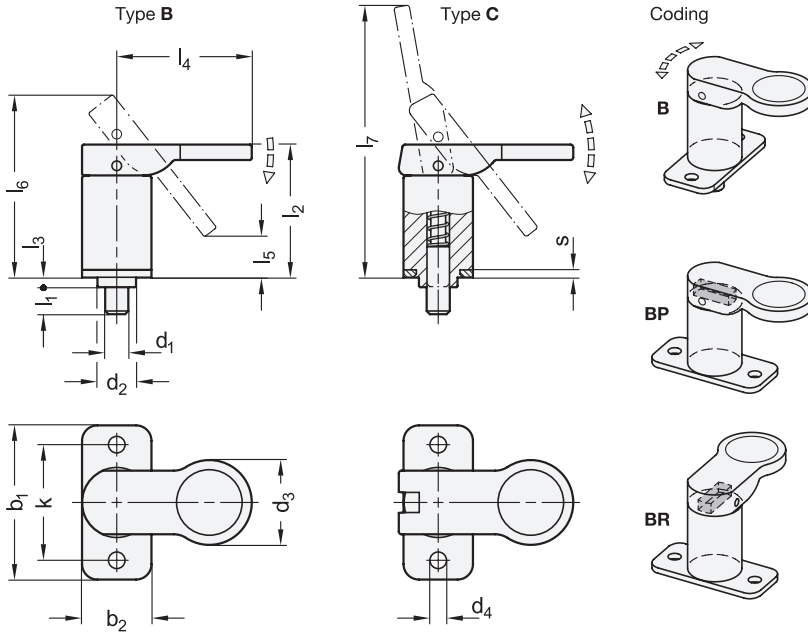
- Application Examples (see page 6)
- List of Indexing Plunger Types (see catalogue page A42)
- Load Rating Information (see catalogue page 738)
- ISO-Fundamental Tolerances (see catalogue page A21)
- Stainless Steel Characteristics (see catalogue page A26)



GN 823-F-NI-B

STAINLESS STEEL

Description	d1 Plunger h9 Bore +0.08/+0.03	l1	b1	b2	d2 -0.05/-0.1	d3	d4	k	l2	l3	l4	l5 ≈	l6 ≈	s	⚖
GN 823-4-5-B-B-NI-SW	4	5	35	15	8	17	4.3	25	26	2	26	8	36	2	36
GN 823-4-5-B-BP-NI-SW	4	5	35	15	8	17	4.3	25	26	2	26	8	36	2	36
GN 823-4-5-B-BR-NI-SW	4	5	35	15	8	17	4.3	25	26	2	26	8	36	2	36
GN 823-5-5-B-B-NI-SW	5	5	35	15	8	17	4.3	25	26	2	26	8	36	2	36
GN 823-5-5-B-BP-NI-SW	5	5	35	15	8	17	4.3	25	26	2	26	8	36	2	37
GN 823-5-5-B-BR-NI-SW	5	5	35	15	8	17	4.3	25	26	2	26	8	36	2	37
GN 823-6-7-B-B-NI-SW	6	7	40	18	10	22	4.3	30	34.5	2.5	35	10	48	2	67
GN 823-6-7-B-BP-NI-SW	6	7	40	18	10	22	4.3	30	34.5	2.5	35	10	48	2	68
GN 823-6-7-B-BR-NI-SW	6	7	40	18	10	22	4.3	30	34.5	2.5	35	10	48	2	68
GN 823-7-7-B-B-NI-SW	7	7	40	18	10	22	4.3	30	34.5	2.5	35	10	48	3	67
GN 823-7-7-B-BP-NI-SW	7	7	40	18	10	22	4.3	30	34.5	2.5	35	10	48	3	69
GN 823-7-7-B-BR-NI-SW	7	7	40	18	10	22	4.3	30	34.5	2.5	35	10	48	3	69
GN 823-8-10-B-B-NI-SW	8	10	50	23	14	26	4.3	38	42.5	2.5	43	13	60	3	125
GN 823-8-10-B-BP-NI-SW	8	10	50	23	14	26	4.3	38	42.5	2.5	43	13	60	3	127
GN 823-8-10-B-BR-NI-SW	8	10	50	23	14	26	4.3	38	42.5	2.5	43	13	60	3	127
GN 823-10-10-B-B-NI-SW	10	10	50	23	14	26	4.3	38	42.5	2.5	43	13	60	3	125
GN 823-10-10-B-BP-NI-SW	10	10	50	23	14	26	4.3	38	42.5	2.5	43	13	60	3	129
GN 823-10-10-B-BR-NI-SW	10	10	50	23	14	26	4.3	38	42.5	2.5	43	13	60	3	129



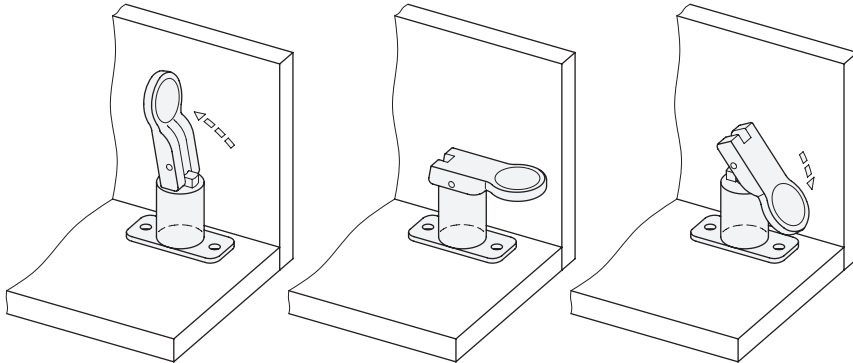
GN 823-F-NI-C

STAINLESS STEEL

Description	d1 Plunger h9 Bore +0.08/+0.03	l1	b1	b2	d2 -0.05/-0.1	d3	d4	k	l2	l3	l4	l5 ≈	l6 ≈	l7 ≈	s	⚖
GN 823-4-5-C-B-NI-SW	4	5	35	15	8	17	4.3	25	26	2	26	8	36	53	2	36
GN 823-4-5-C-BP-NI-SW	4	5	35	15	8	17	4.3	25	26	2	26	8	36	53	2	36
GN 823-4-5-C-BR-NI-SW	4	5	35	15	8	17	4.3	25	26	2	26	8	36	53	2	36
GN 823-5-5-C-B-NI-SW	5	5	35	15	8	17	4.3	25	26	2	26	8	36	53	2	36
GN 823-5-5-C-BP-NI-SW	5	5	35	15	8	17	4.3	25	26	2	26	8	36	53	2	36
GN 823-5-5-C-BR-NI-SW	5	5	35	15	8	17	4.3	25	26	2	26	8	36	53	2	36
GN 823-6-7-C-B-NI-SW	6	7	40	18	10	22	4.3	30	34.5	2.5	35	10	48	71	2	67
GN 823-6-7-C-BP-NI-SW	6	7	40	18	10	22	4.3	30	34.5	2.5	35	10	48	71	2	68
GN 823-6-7-C-BR-NI-SW	6	7	40	18	10	22	4.3	30	34.5	2.5	35	10	48	71	2	68
GN 823-7-7-C-B-NI-SW	7	7	40	18	10	22	4.3	30	34.5	2.5	35	10	48	71	3	67
GN 823-7-7-C-BP-NI-SW	7	7	40	18	10	22	4.3	30	34.5	2.5	35	10	48	71	3	69
GN 823-7-7-C-BR-NI-SW	7	7	40	18	10	22	4.3	30	34.5	2.5	35	10	48	71	3	69
GN 823-8-10-C-B-NI-SW	8	10	50	23	14	26	4.3	38	42.5	2.5	43	13	60	88	3	126
GN 823-8-10-C-BP-NI-SW	8	10	50	23	14	26	4.3	38	42.5	2.5	43	13	60	88	3	128
GN 823-8-10-C-BR-NI-SW	8	10	50	23	14	26	4.3	38	42.5	2.5	43	13	60	88	3	128
GN 823-10-10-C-B-NI-SW	10	10	50	23	14	26	4.3	38	42.5	2.5	43	13	60	88	3	128
GN 823-10-10-C-BP-NI-SW	10	10	50	23	14	26	4.3	38	42.5	2.5	43	13	60	88	3	131
GN 823-10-10-C-BR-NI-SW	10	10	50	23	14	26	4.3	38	42.5	2.5	43	13	60	88	3	131

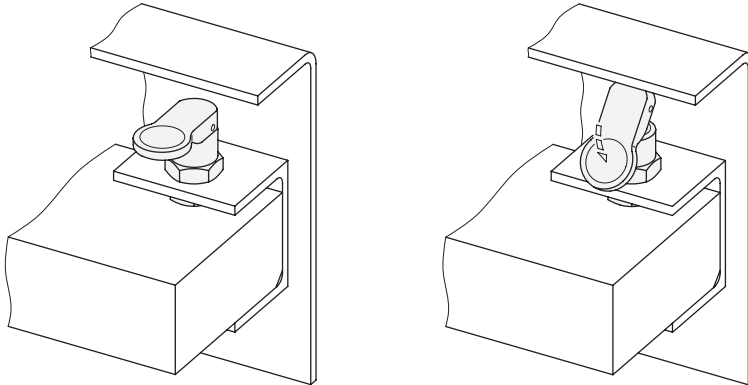
Application examples

Type C



Rest position

Type B



Watch the Video!

COPYRIGHT © 2026

Elesa S.p.A and OTTO GANTER GmbH & Co. KG

All rights reserved.

No part of this catalogue can be reproduced in whole
or in part without prior written permission from

Elesa S.p.A or OTTO GANTER GmbH & Co. KG



Find out more on elesa-ganter.in



ELESA AND GANTER INDIA PVT LTD
A-54, SECTOR-83
Noida - 201305 (UP)
India
+91 120 4726666
info@elesa-ganter.in
elesa-ganter.in



DESIGNED
FOR ENGINEERING